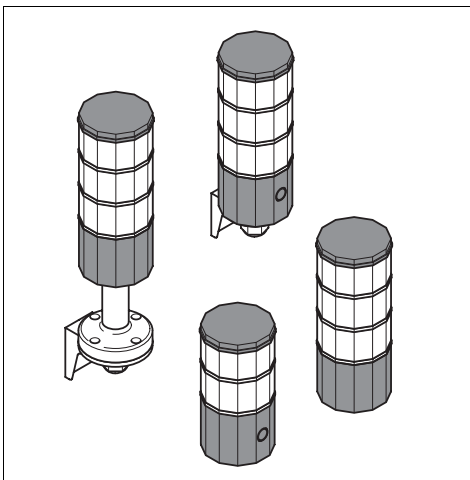
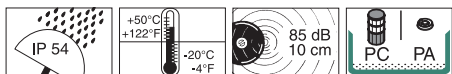


Torre Luminosa Compacta TLC 60



GB Electrical connection is to be made by trained electrical specialists **only**.

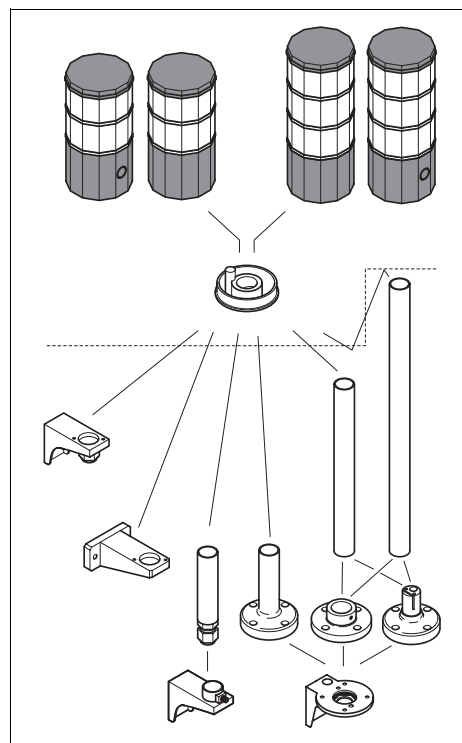


191843
191844
191845
191849
191850
191851

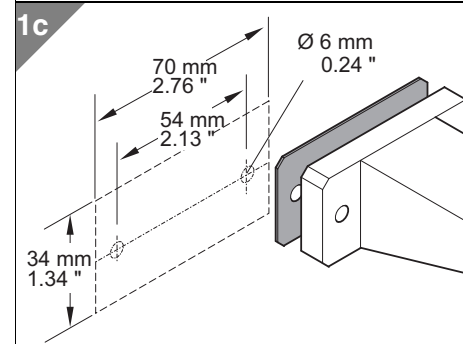
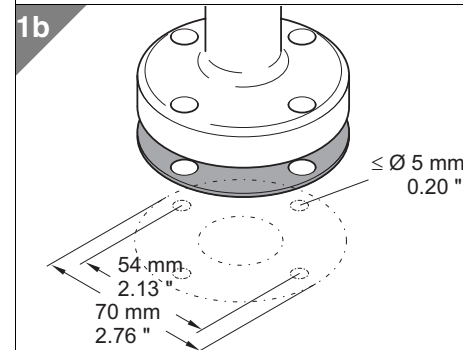
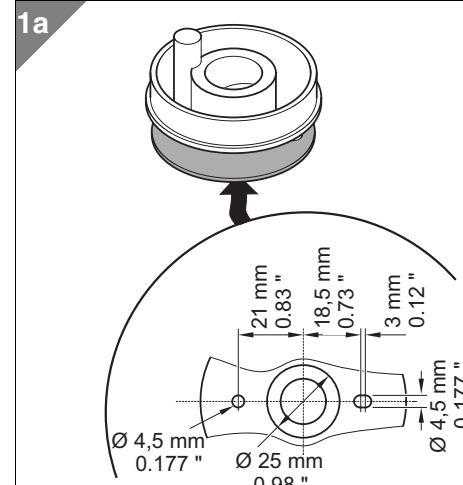


191843	24 V AC/DC ⊗ < 30 mA
191844	24 V AC/DC ⊗ < 30 mA
191845	24 V AC/DC ⊗ < 30 mA
191849	24 V AC/DC ⊗ < 40 mA
191850	24 V AC/DC ⊗ < 40 mA
191851	24 V AC/DC ⊗ < 40 mA
191846	24 V DC ⊗ < 30 mA ☒ < 25 mA
191847	24 V DC ⊗ < 30 mA ☒ < 25 mA
191848	24 V DC ⊗ < 30 mA ☒ < 25 mA

191852	24 V DC ⊗ < 40 mA ☒ < 25 mA
191853	24 V DC ⊗ < 40 mA ☒ < 25 mA
191854	24 V DC ⊗ < 40 mA ☒ < 25 mA



1
1a - 191 ...
1b - 120113, 120118, 120119
1c - 120105
1d - 120106, 120107
1e - 120104

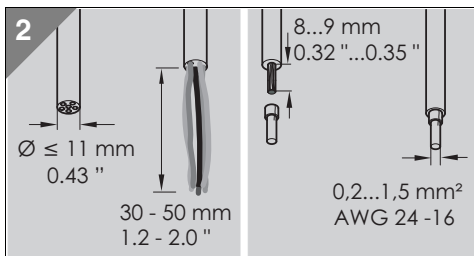
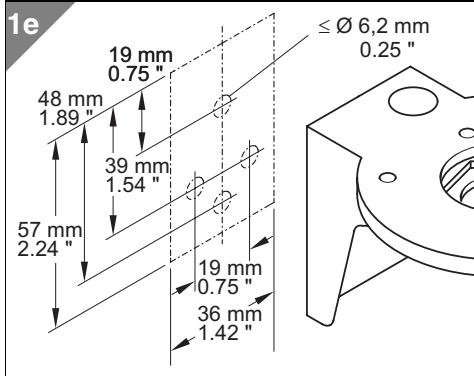
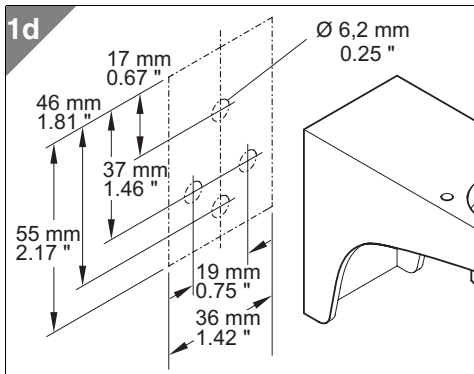


310.696.002.0609



SCHMERSAL ACE

Rodovia Boituva - Porto Feliz, Km 12
Jd. Esplanada - CEP: 18550-000
Fone/Fax: 55 (15) 3263-9800
E-mail: marketing@schmersal.com.br
www.schmersal.com.br



- 3**
- 3a - 191 ...
 - 3b - 120106
 - 3c - 120105
 - 3d - 120114, ..., 120113, 120108, ...
 - 3e - 120104, 120113, 120118, 120119
 - 3f - 120107 + 120108, ...

